

ILLUSTRATED PARTS BREAKDOWN

PARTNER

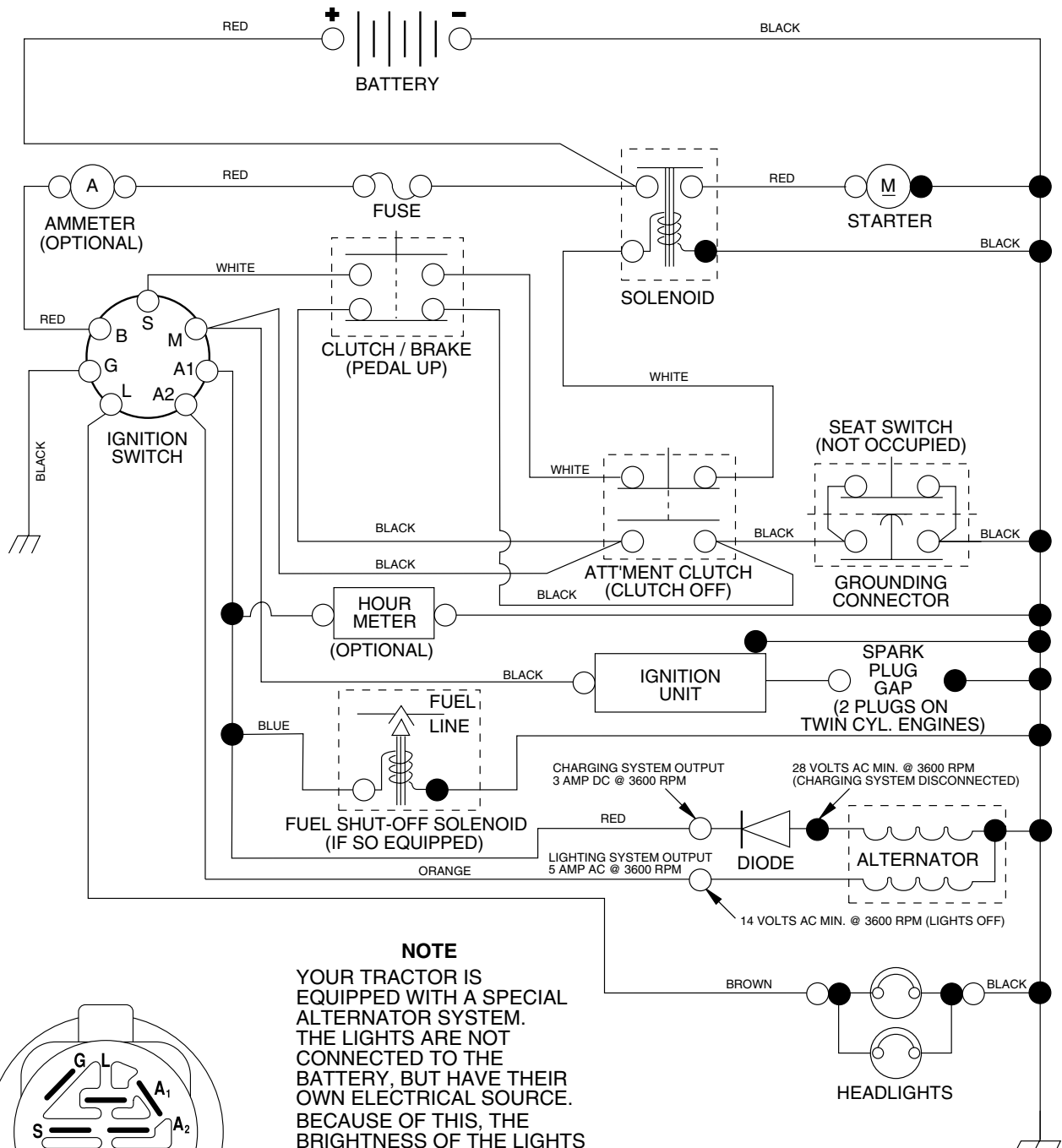
12 HP, 42" MOWER DECK

LAWN TRACTOR

MODEL NUMBER 12-107 (P12S105B)

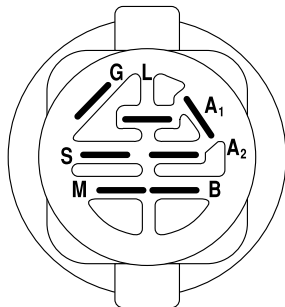
954 12 00-30

TRACTOR- -MODEL NO. 12-107 (P12S105B), PRODUCT NO. 954 12 00-30 SCHEMATIC



NOTE

YOUR TRACTOR IS EQUIPPED WITH A SPECIAL ALTERNATOR SYSTEM. THE LIGHTS ARE NOT CONNECTED TO THE BATTERY, BUT HAVE THEIR OWN ELECTRICAL SOURCE. BECAUSE OF THIS, THE BRIGHTNESS OF THE LIGHTS WILL CHANGE WITH ENGINE SPEED. AT IDLE THE LIGHTS WILL DIM. AS THE ENGINE IS SPEEDED UP, THE LIGHTS WILL BECOME THEIR BRIGHTEST.



IGNITION SWITCH

| POSITION | CIRCUIT | "MAKE" |
|-----------|------------|--------|
| OFF | M+G+A1 | NONE |
| RUN/LIGHT | B+A1 | A2+L |
| RUN | B+A1 | NONE |
| START | B + S + A1 | NONE |

WIRING INSULATED CLIPS

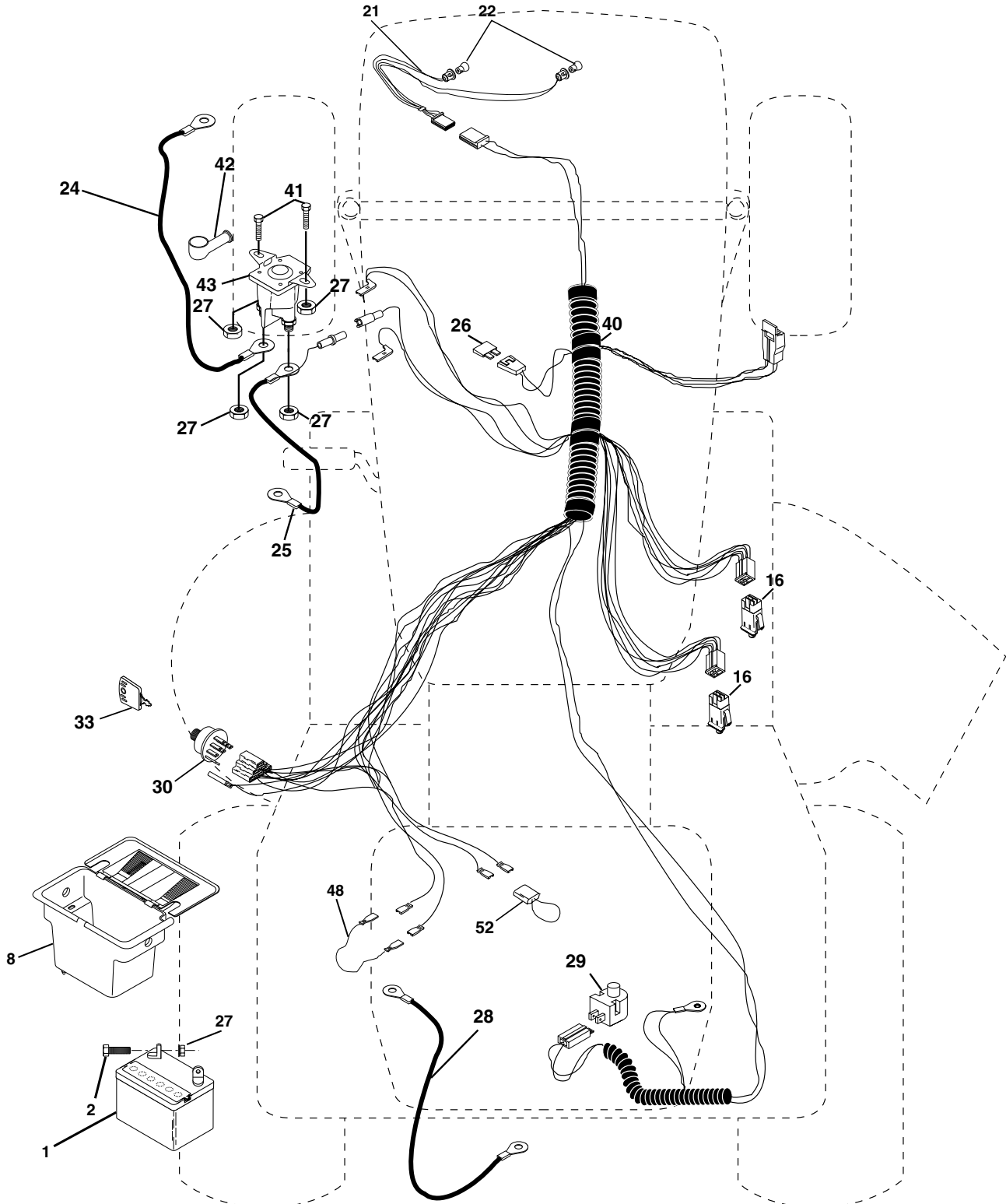
NOTE: IF WIRING INSULATED CLIPS WERE REMOVED FOR SERVICING OF UNIT, THEY SHOULD BE REPLACED TO PROPERLY SECURE YOUR WIRING.

NON-REMOVABLE CONNECTIONS

REMOVABLE CONNECTIONS

REPAIR PARTS

TRACTOR- -MODEL NO. 12-107 (P12S105B), PRODUCT NO. 954 12 00-30
ELECTRICAL



REPAIR PARTS

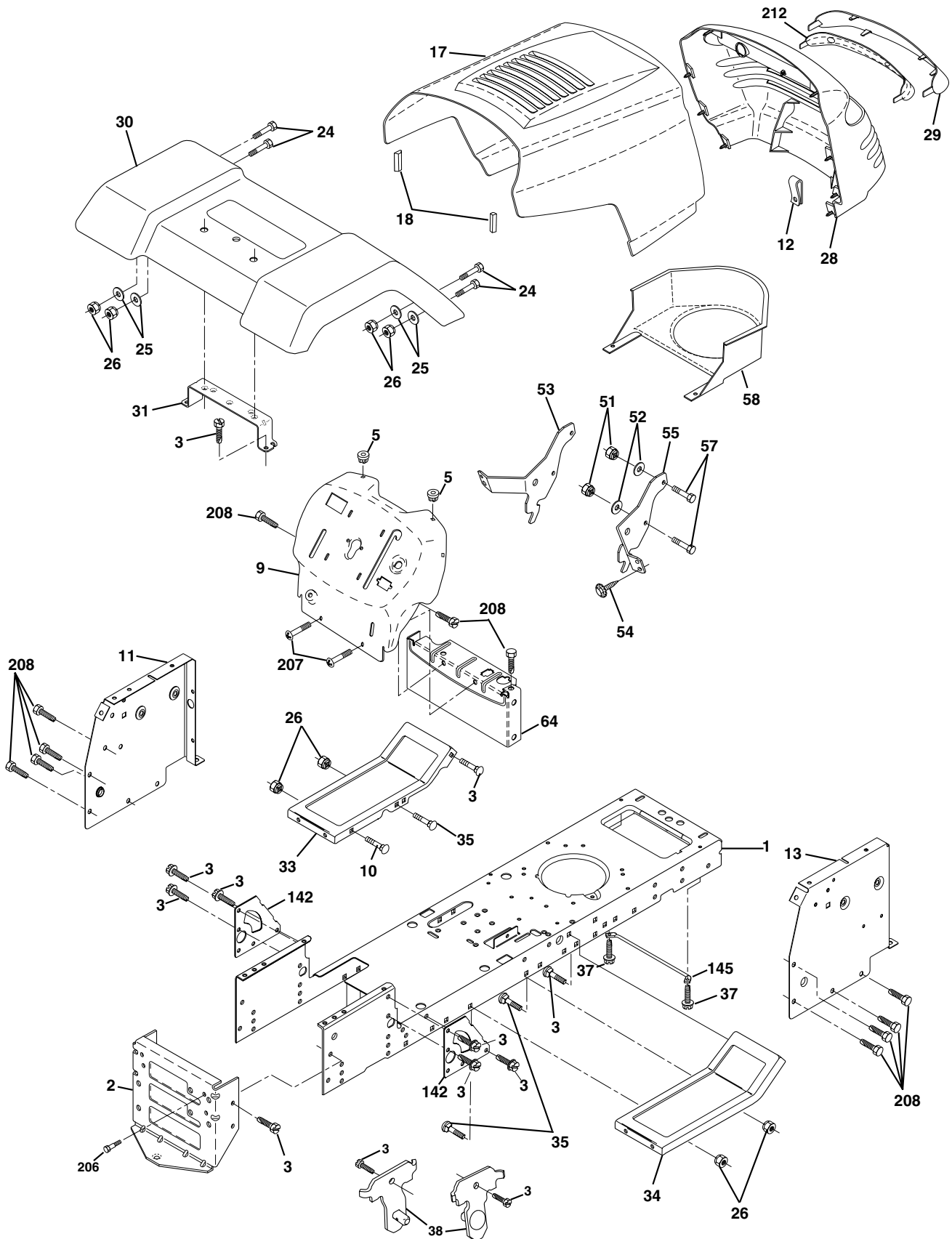
TRACTOR- -MODEL NO. 12-107 (P12S105B), PRODUCT NO. 954 12 00-30
ELECTRICAL

| KEY NO. | PART NO. | DESCRIPTION |
|---------|------------------|---------------------------------|
| 1 | 532144925 | Battery 12 Volt 25 AMP |
| 2 | 874760412 | Bolt Hex Hd 1/4-20unc X 3/4 |
| 8 | 532156417 | Case Battery Hng Mech W/lid |
| 16 | 532153664 | Switch Interlock Push-In |
| 21 | 532166181 | Harness Asm Light W/4152j |
| 22 | 532004152 | Bulb Light #1156 |
| 24 | 532124780 | Cable Battery 6 Ga 11" Red |
| 25 | 532146147 | Cable Battery 6 Ga Red w/16 wir |
| 26 | 532175158 | Fuse |
| 27 | 873510400 | Nut Keps Hex 1/4-20 Unc |
| 28 | 532124773 | Cable Ground 6 Ga 12" black |
| 29 | 532121305 | Switch Plunger Nc Gray |
| 30 | 532175566 | Switch Ign |
| 33 | 532140401 | Key |
| 40 | 532170217 | Harness Ing Cl Am Hm |
| 41 | 871110408 | Bolt Blk Fin Hex 1/4 - 20 x 1/2 |
| 42 | 532131563 | Cover Terminal Red |
| 43 | 532175141 | Solenoid |
| 48 | 532140844 | Adapter Ammeter Rectangular |
| 52 | 532141940 | Protection Wire Loop |

NOTE: All component dimensions given in U.S. inches.
1 inch = 25.4 mm.

REPAIR PARTS

TRACTOR- -MODEL NO. 12-107 (P12S105B), PRODUCT NO. 954 12 00-30
CHASSIS AND ENCLOSURES



REPAIR PARTS

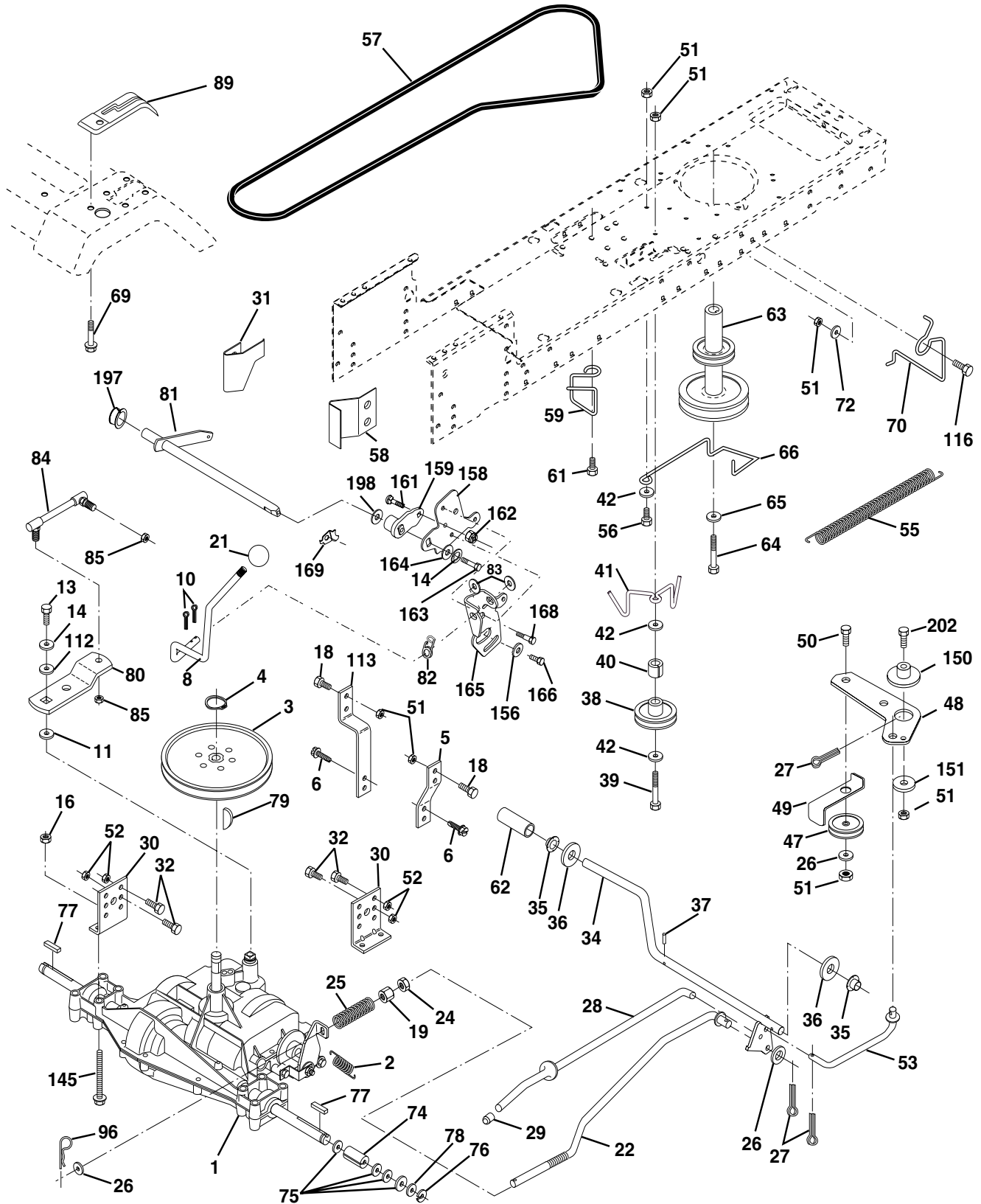
TRACTOR- -MODEL NO. 12-107 (P12S105B), PRODUCT NO. 954 12 00-30
CHASSIS AND ENCLOSURES

| KEY NO. | PART NO. | DESCRIPTION |
|---------|-----------|----------------------------------|
| 1 | 532169830 | Chassis |
| 2 | 532169061 | Drawbar |
| 3 | 817060612 | Screw 3/8-16 x .75 |
| 5 | 532155272 | Bumper Hood Dash |
| 9 | 532172151 | Dash |
| 10 | 872140608 | Bolt Rdhd Sqnk 3/8-16unc X 1 |
| 11 | 532155927 | Panel Dash LH |
| 12 | 532145660 | Clip Tinnerman Grille P/L |
| 13 | 532173025 | Panel Dash RH |
| 17 | 532160382 | Hood |
| 18 | 532126938 | Bumper Hood |
| 24 | 874780616 | Bolt Fin Hex 3/8-16unc X 1 Gr. 5 |
| 25 | 819131312 | Washer 13/32 X 13/16 X 12 Ga. |
| 26 | 873800600 | Nut Lock Hex w/Ins 3/8-16 Unc |
| 28 | 532143499 | Grille Private Label |
| 29 | 532168154 | Lens Grille Private Label |
| 30 | 532173026 | Fender |
| 31 | 532136619 | Bracket Fender Repl 109873x |
| 33 | 532153539 | Footrest Pnt LH |
| 34 | 532153538 | Footrest Pnt RH |
| 35 | 872110606 | Bolt Rdhd Sht Sqnk 3/8-16 X3/4 |
| 37 | 817490508 | Screw Thdrol 5/16-18 x 1/2 Tyt |
| 38 | 532169834 | Bracket Asm Pivot Mower Rear |
| 51 | 873800400 | Nut Lock w/Insert 1/4-20 |
| 52 | 819091416 | Washer 9/32 x 7/8 x 16 Ga. |
| 53 | 532144697 | Bracket Grille LH |
| 54 | 532161464 | Screw Hex Wshd 8-18 x 7/8 |
| 55 | 532144696 | Bracket Grille RH |
| 57 | 874780412 | Bolt Hex 1/4-20 x 3/4 |
| 58 | 532150127 | Air Duct Private Label |
| 64 | 532154798 | Dash Lower STLT |
| 142 | 532165867 | Plate Reinforcement STLT |
| 145 | 532156524 | Rod Pivot Chassis/Hood |
| 206 | 532170165 | Bolt Shoulder 5/16-18 |
| 207 | 817670508 | Screw Thdrol 5/16-18 x 1/2 |
| 208 | 817670608 | Screw Thdrol 3/8-16 x 1/2 |
| 212 | 532156229 | Insert Lens REFLECT |
| -- | 532005479 | Plug Button Blk 359 Dia Choke |

NOTE: All component dimensions given in U.S. inches.
1 inch = 25.4 mm.

REPAIR PARTS

TRACTOR- -MODEL NO. 12-107 (P12S105B), PRODUCT NO. 954 12 00-30
DRIVE



REPAIR PARTS

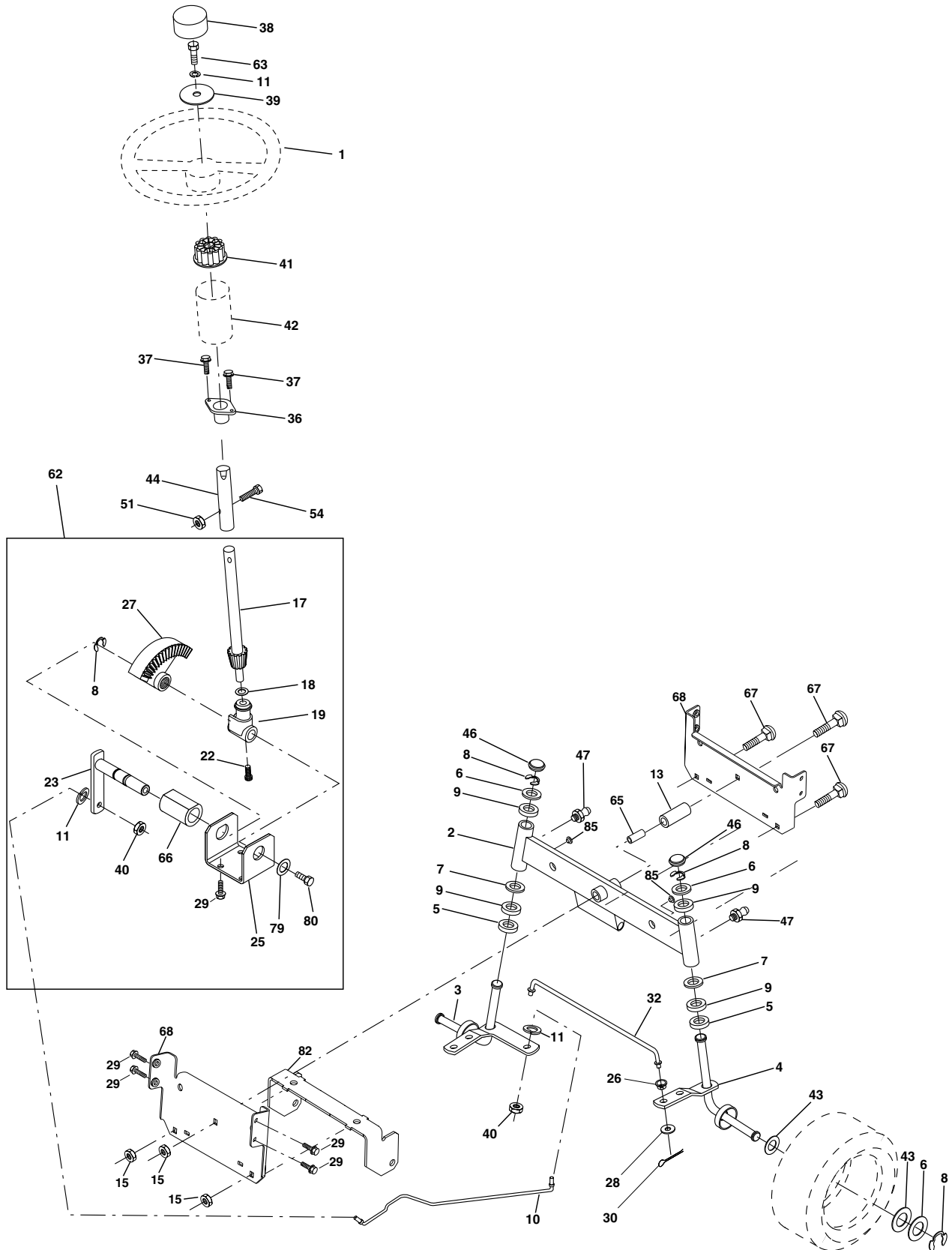
TRACTOR- -MODEL NO. 12-107 (P12S105B), PRODUCT NO. 954 12 00-30
DRIVE

| KEY NO. | PART NO. | DESCRIPTION | KEY NO. | PART NO. | DESCRIPTION |
|---------|------------------|---|---------|------------------|-----------------------------------|
| 1 | ----- | Transaxle (Order Parts From Transaxle Manufacturer) Peerless 205-544C | 59 | 532169691 | Keeper Belt Span Ctr |
| 2 | 532146682 | Spring Return Brake T/a Zinc | 61 | 817060612 | Screw 3/8-16x3/4 |
| 3 | 532123666 | Pulley Transaxle 18" tires | 62 | 532124872 | Cover Pedal Round |
| 4 | 812000028 | Ring Retainer # 5100-62 | 63 | 532140186 | Engine Pulley LT/YT |
| 5 | 532121520 | Strap Torque 30 Degrees | 64 | 871170764 | Bolt Hex |
| 6 | 817060512 | Screw Thdrol 5/16-18 X 3/4 TYT | 65 | 810040700 | Washer Lock Hvy Hlcl Spr 7/16 |
| 8 | 532165619 | Rod Shift Fender Adjust STLT | 66 | 532154778 | Keeper Belt Engine Foolproof |
| 10 | 876020416 | Pin Cotter 1/8 X 1 Cad | 69 | 532142432 | Screw Hex Wsh Hi-Lo 1/4-1/2 |
| 11 | 532105701 | Washer Plate Shf 388 Sq Hole | 70 | 532134683 | Guide Belt Mower Drive RH |
| 13 | 874550412 | Bolt 1/4-28 Unf Gr 8 W/Patch | 72 | 819132012 | Washer 13/32 X 1-1/4 X 12 Ga |
| 14 | 810040400 | Washer Lock Hvy Helical 1/4 | 74 | 532137057 | Spacer Axle |
| 16 | 873800500 | Nut Lock Hx W/Ins 5/16-18 Unc Pl | 75 | 532121749 | Washer 25/32 X 1 1/4 X 16 Ga |
| 18 | 874780616 | Bolt, Fin Hex 3/8-16 UNC x 1 Gr. 5 | 76 | 812000001 | E-ring #5133-75 |
| 19 | 873800600 | Nut Lock 3/8-16 Unc | 77 | 532123583 | Key Square 2 0 X 1845/ 1865 |
| 21 | 532106933 | Knob | 78 | 532121748 | Washer 25/32 X 1-5/8 X 16 Ga |
| 22 | 532130804 | Rod Brake Blk Zinc 26 840 | 79 | 532125096 | Key Woodruff #9 3/16 x 3/4 |
| 24 | 873350600 | Nut Hex Jam 3/8-16 Unc | 80 | 532131486 | Arm Shift |
| 25 | 532106888 | Spring Rod Brake 2 00 Zinc | 81 | 532165594 | Shaft Asm Cross Tapered DA/PR 18" |
| 26 | 819131316 | Washer 13/32 X 13/16 X 16 Ga | 82 | 532123782 | Spring Torsion T/a |
| 27 | 876020412 | Pin Cotter 1/8 X 3/4 Cad | 83 | 819171216 | Washer 17/32 X 3/4 X 16 Ga |
| 28 | 532145204 | Rod Brake Parking LT/YT | 84 | 532166228 | Transaxle Link |
| 29 | 532071673 | Cap Brake Parking Black | 85 | 532150360 | Nut Lock Center 1/4 - 28 FNTHD |
| 30 | 532174973 | Bracket Mtg Transaxle | 89 | 532173774 | Console Shift STLT |
| 31 | 532127275 | Keeper Belt LH LT 14 Ga | 96 | 532124788 | Retainer Spring 1" |
| 32 | 874760512 | Bolt Hex Hd 5/16-18unc X 3/4 | 112 | 819091210 | Washer 9/32 x 3/4 x 10 Ga. |
| 34 | 532155071 | Shaft Asm Pedal Foot | 113 | 532127285 | Strap Torque LT |
| 35 | 532120183 | Bearing Nylon Blk 629 Id | 116 | 872110610 | Bolt Rdhd Sq Neck 3/8-16 x 1.25 |
| 36 | 819211616 | Washer 21/32 X 1 X 16 Ga | 145 | 874490540 | Bolt Hex Flg Hd 5/16-18 Gr 5 |
| 37 | 532124963 | Pin Roll 3/16 X 1" | 150 | 532165850 | Bushing Bellcrank |
| 38 | 532131494 | Pulley Idler Flat | 151 | 819133210 | Washer 13/32 x 2 x 10 Ga. |
| 39 | 874760644 | Bolt Rdhd 3/8-16unc X 2-3/4 Gr 5 | 156 | 532166002 | Washer Srrted 5/16ID x 1.125 |
| 40 | 532124965 | Spacer Split 395 X 59 Bzp | 158 | 532165589 | Bracket Shift Mount |
| 41 | 532165838 | Keeper Belt Idler Flat | 159 | 532165494 | Hub Tapered Flange Shift Lt |
| 42 | 819131312 | Washer 13/32 X 13/16 X 12 Ga | 161 | 872140406 | Bolt Rdhd Sqnk 1/4-20 x 3/4 Gr 5 |
| 47 | 532127783 | Pulley Idler V Groove Plastic | 162 | 873680400 | Nut Crownlock 1/4-20 Unc |
| 48 | 532154407 | Bellcrank Clutch Grnd Drv Stl | 163 | 874780416 | Bolt Hex Fin 1/4-20 Unc x 1 Gr 5 |
| 49 | 532123205 | Retainer Belt Style Spring | 164 | 819091010 | Washer 5/8 x .281 x 10 Ga |
| 50 | 874760624 | Bolt Hex Hd 3/8-16unc X 1-1/2 | 165 | 532165623 | Bracket Pivot Lever |
| 51 | 873680600 | Nut Crownlock 3/8-16 Unc | 166 | 532166880 | Screw 5/16-18 x 5/8 |
| 52 | 873680500 | Nut Crownlock 5/16-18 Unc | 168 | 532165492 | Bolt Shoulder 5/16-18 x .561 |
| 53 | 532105710 | Link Clutch | 169 | 532165580 | Plate Fastening STLT/CRD |
| 55 | 532105709 | Spring Return Clutch 6 75 | 197 | 532169613 | Nyliner Snap-In 5/8" ID |
| 56 | 874760620 | Bolt Fin Hx 3/8-16 X 1/4 | 198 | 532169593 | Washer Nyl 7/8 Id x .105" Hyd |
| 57 | 532130801 | V-Belt Ground Drive 95 25 | 202 | 872110612 | Bolt Carr Sh 3/8-16 x 1-1/2 Gr 5 |
| 58 | 532127274 | Keeper Belt RH LT Pnt/zinc 16g | | | |

NOTE: All component dimensions given in U.S. inches
1 inch = 25.4 mm

REPAIR PARTS

TRACTOR- -MODEL NO. 12-107 (P12S105B), PRODUCT NO. 954 12 00-30
STEERING ASSEMBLY



REPAIR PARTS

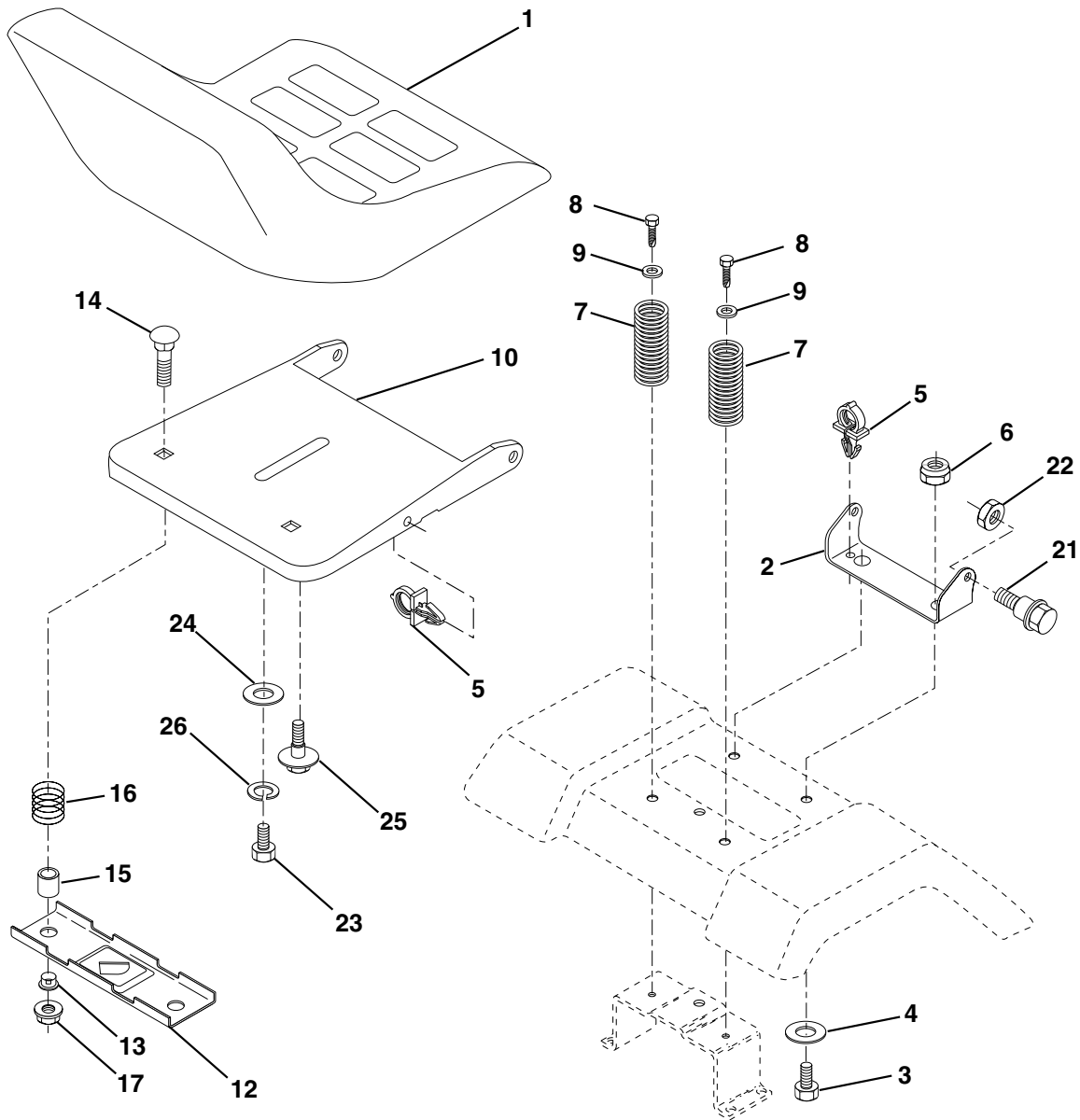
TRACTOR- -MODEL NO. 12-107 (P12S105B), PRODUCT NO. 954 12 00-30 STEERING ASSEMBLY

| KEY NO. | PART NO. | DESCRIPTION |
|---------|-----------|----------------------------------|
| 1 | 532139768 | Wheel Steering |
| 2 | 532154427 | Axle Asm Fr |
| 3 | 532169840 | Spindle Asm LH |
| 4 | 532169839 | Spindle Asm RH |
| 5 | 532124931 | Bearing Race Thrust Harden |
| 6 | 532121748 | Washer 25/32 x 1-5/8 x 16 Ga |
| 7 | 819272016 | Washer 27/32 x 1-1/4 x 16 Ga |
| 8 | 812000029 | Ring Klip #5304-75 |
| 9 | 532124937 | Bearing Col Strg Blk |
| 10 | 532169832 | Link Drag |
| 11 | 810040600 | Washer Lock Hvy Hlcl Spr 3/8 |
| 13 | 532136518 | Spacer Brace Axle |
| 15 | 532145212 | Nut Hexflange Lock |
| 17 | 532156546 | Shaft Asm Strg |
| 18 | 532057079 | Washer Thrust 515 x 750 x 033 |
| 19 | 532160395 | Support Shaft |
| 22 | 532165857 | Screw Hex Wshhd Torx |
| 23 | 532165851 | Shaft Asm Pittman |
| 25 | 532154406 | Bracket Steering |
| 26 | 532126847 | Bushing Link Drag Blk LR |
| 27 | 532136874 | Gear Sector |
| 28 | 819131416 | Washer 13/32 x 7/8 x 16 Ga |
| 29 | 817060612 | Screw 3/8-16 x .75 |
| 30 | 876020412 | Pin Cotter 1/8 x 3/4 Cad |
| 32 | 532130465 | Rod Tie Wire Form 19 75 Mech |
| 36 | 532155099 | Bushing Strg Nat .623/.618ld |
| 37 | 532152927 | Screw TT #10-32 x 5 x 3/8 Flange |
| 38 | 532140175 | Cap Wheel Steer P/L |
| 39 | 819133812 | Washer 13/32 x 2-3/8 x 12 Ga |
| 40 | 532124701 | Nut Lock Center 3/8-24unf |
| 41 | 532100711 | Adaptor Wheel Strg |
| 42 | 532169633 | Boot Shaft Steering |
| 43 | 532121749 | Washer 25/32 X 1 1/4 X 16 Ga |
| 44 | 532153720 | Extension Steering |
| 46 | 532121232 | Cap Spindle Fr Top Blk |
| 47 | 532124836 | Fitting Grease |
| 51 | 873800500 | Nut Lock Hx w/Ins 5/16-18 Unc |
| 54 | 874780520 | Bolt Fin Hex 5/16-18 Unc x 1-1/4 |
| 62 | 532167902 | Kit Steering Assembly Serv |
| 63 | 874780616 | Bolt Fin Hex 3/8-16 UNC Gr. 5 |
| 65 | 532160367 | Spacer Brace Axle |
| 66 | 532154404 | Bearing Arm Pittman |
| 67 | 872140618 | Bolt RDHD SQ 3/8-16 UNC x 2-1/4 |
| 68 | 532169827 | Brace Axle |
| 79 | 819132012 | Washer 13/32 x 1-1/4 x 12 Ga. |
| 80 | 874950612 | Bolt Hex Nylon 3/8-16 x 3/4 |
| 82 | 532169835 | Bracket Susp. Chassis Front |
| 85 | 532133835 | Fastener Christmas Tree |

NOTE: All component dimensions given in U.S. inches.
1 inch = 25.4 mm.

REPAIR PARTS

TRACTOR- -MODEL NO. 12-107 (P12S105B), PRODUCT NO. 954 12 00-30
SEAT ASSEMBLY



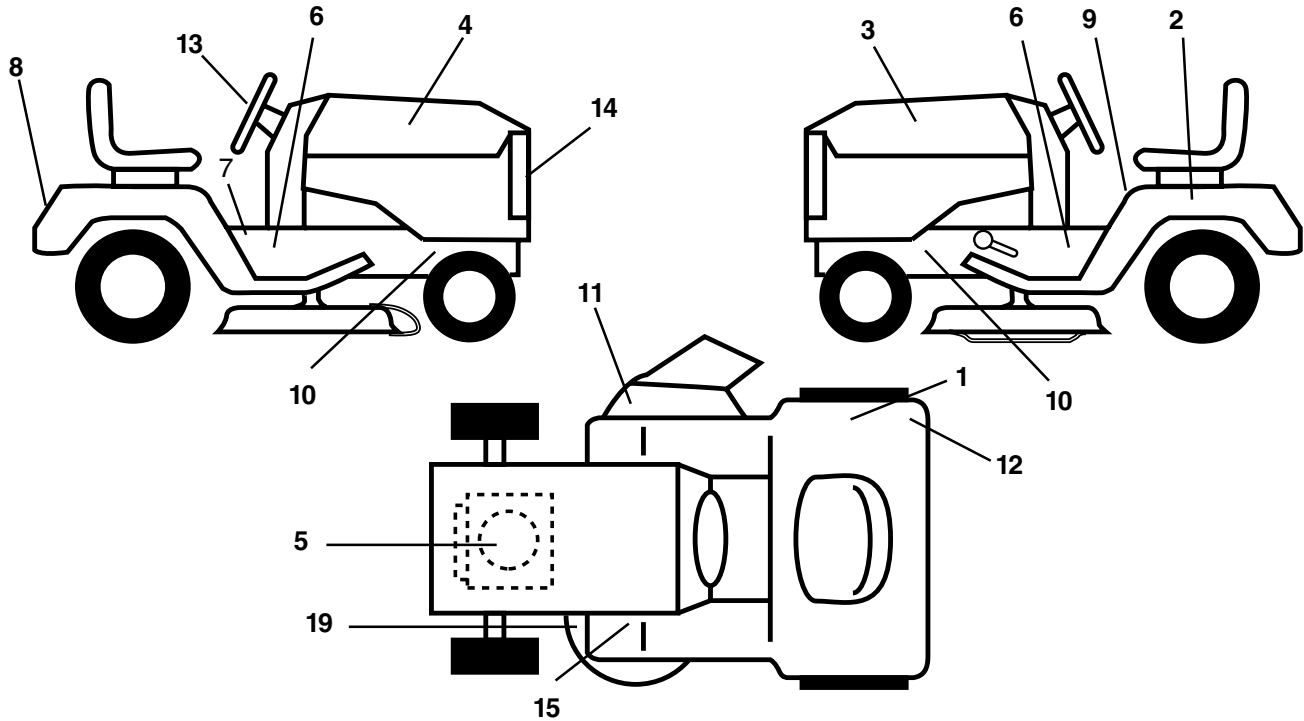
| KEY NO. | PART NO. | DESCRIPTION |
|---------|------------------|--------------------------------|
| 1 | 532140116 | Seat |
| 2 | 532140551 | Bracket Pivot Seat 8 720 |
| 3 | 871110616 | Bolt Fin Hex 3/8-16unc X 1 |
| 4 | 819131610 | Washer 13/32 X 1 X 10 Ga |
| 5 | 532145006 | Clip Push-In |
| 6 | 873800600 | Nut Lock Hex w/Wsh 3/8-16 Unc |
| 7 | 532124181 | Spring Seat Cprsn 2 250 Blk Zi |
| 8 | 817000616 | Screw 3/8-16 X 1.5 |
| 9 | 819131614 | Washer 13/32 X 1 X 14 Ga. |
| 10 | 532174894 | Pan Seat |
| 12 | 532121246 | Bracket Mounting Switch |
| 13 | 532121248 | Bushing Snap Blk Nyl 50 Id |

| KEY NO. | PART NO. | DESCRIPTION |
|---------|-----------|-----------------------------------|
| 14 | 872050412 | Bolt Rdhd Sht Nk 1/4-20x1-1/2 |
| 15 | 532134300 | Spacer Split 28x 96 Yel Zinc |
| 16 | 532121250 | Spring Cprsn 1 27 Blk Pnt |
| 17 | 532123976 | Nut Lock 1/4 Lge Flg Gr 5 Zinc |
| 21 | 532171852 | Bolt Shoulder 5/16-18 Unc -2A |
| 22 | 873800500 | Nut Lock Hex W/Insert 5/16-18 UNC |
| 23 | 871110814 | Bolt Hex |
| 24 | 819171912 | Washer 17/32 X 1-3/16 X 12 Ga. |
| 25 | 532127018 | Bolt Shoulder 5/16-18 X 62 |
| 26 | 810040800 | Washer Lock Hvy HLCLSPR 1/2 |

NOTE: All component dimensions given in U.S. inches.
1 inch = 25.4 mm

REPAIR PARTS

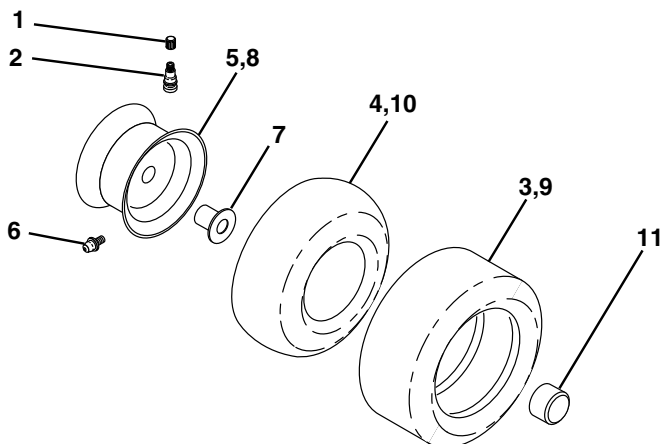
TRACTOR- -MODEL NO. 12-107 (P12S105B), PRODUCT NO. 954 12 00-30
DECALS



| KEY NO. | PART NO. | DESCRIPTION |
|---------|------------------|-------------------------------|
| 1 | 532145437 | Decal Europe Stand CE |
| 2 | 532145005 | Decal Bat Dan/Poi P/L Symbols |
| 3 | 532175959 | Decal Hood LH |
| 4 | 532175958 | Decal Hood RH |
| 5 | 532170832 | Decal Engine |
| 6 | 532137588 | Decal Chas. Turbo Collection |
| 7 | 532140837 | Decal Saddle Brake Parking |
| 8 | 532140987 | Decal Fender Bernard |
| 9 | 532145498 | Decal Read Owners Manual Syms |
| 10 | 532159736 | Decal Chassis Hot Muffler |
| 11 | 532145494 | Decal Mower Cut finger Symbol |

| KEY NO. | PART NO. | DESCRIPTION |
|---------|------------------|---------------------------------|
| 12 | 532126187 | Decal 100 Db |
| 13 | 532146998 | Decal Strg Wheel Cap |
| 14 | 532140986 | Decal Logo Grille |
| 15 | 532159737 | Decal Brake/Clutch |
| 19 | 532160396 | Decal V-Belt Sch |
| -- | 532162598 | Decal Drawbar Load Limit |
| -- | 532138311 | Decal Lift Handle (Lift Handle) |
| -- | 532176663 | Manual Operator's Euro |
| -- | 532176665 | Manual Operator's Scan |

WHEELS & TIRES

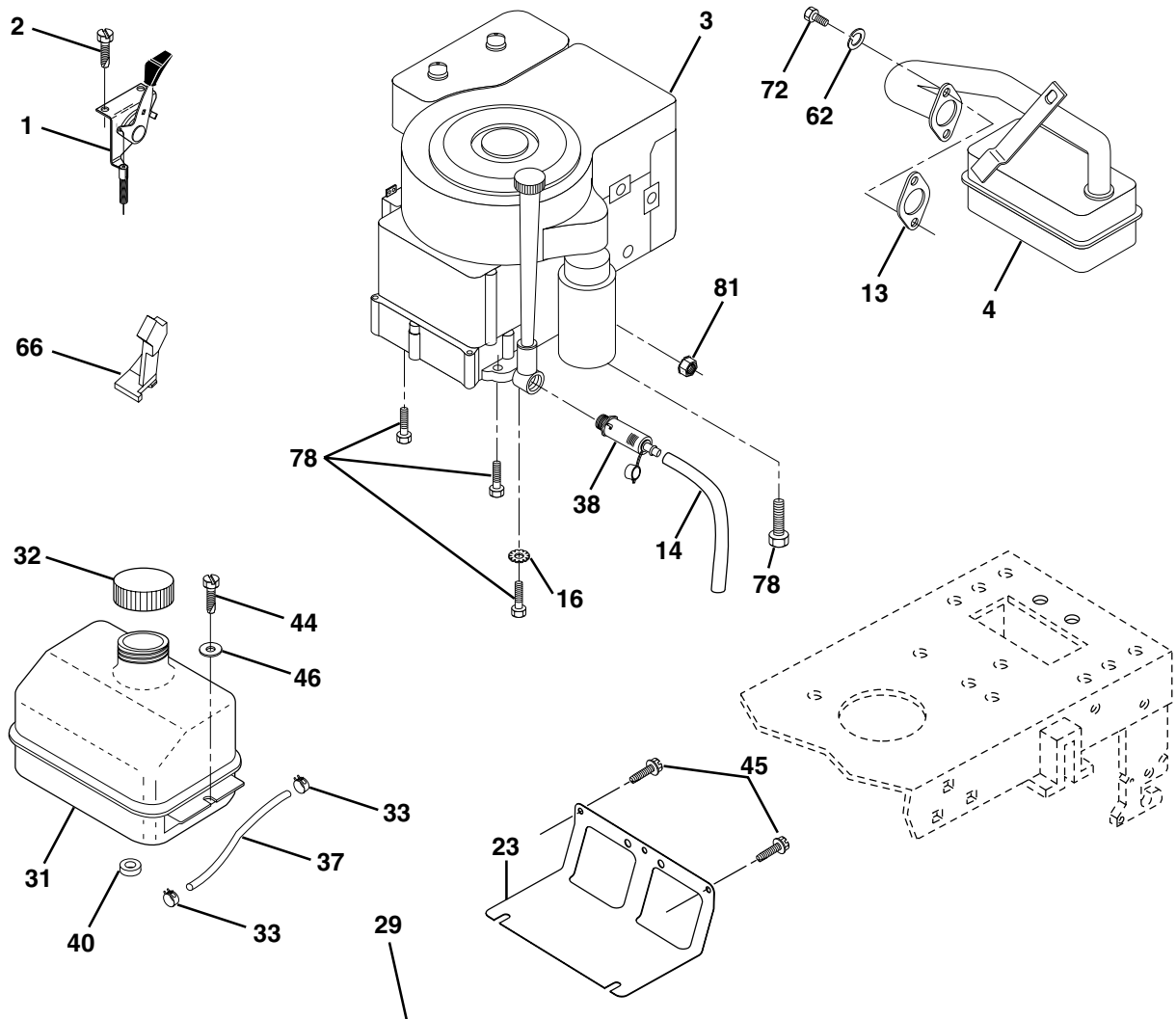


| KEY NO. | PART NO. | DESCRIPTION |
|---------|------------------|-----------------------------------|
| 1 | 532059192 | Cap Valve Tire |
| 2 | 532065139 | Stem Valve |
| 3 | 532106268 | Tire R 18 X 9.5 - 8 Service |
| 4 | 532059904 | Tube Front (Service Item Only) |
| 5 | 532125121 | Rim Asm 6" front Yellow Service |
| 6 | 532124957 | Fitting Grease (Front Wheel Only) |
| 7 | 532124959 | Bearing Flange (Front Wheel Only) |
| 8 | 532125122 | Rim Asm 8" rear Yellow Service |
| 9 | 532106268 | Tire R Ts 18 x 9.5-8 C. Service |
| 10 | 532124926 | Tube Rear (Service Item Only) |
| 11 | 532175039 | Cap Axle Blk 1 50 X 1 00 |

NOTE: All component dimensions given in U.S. inches
1 inch = 25.4 mm

REPAIR PARTS

TRACTOR- -MODEL NO. 12-107 (P12S105B), PRODUCT NO. 954 12 00-30
ENGINE



OPTIONAL EQUIPMENT
Spark Arrester

REPAIR PARTS

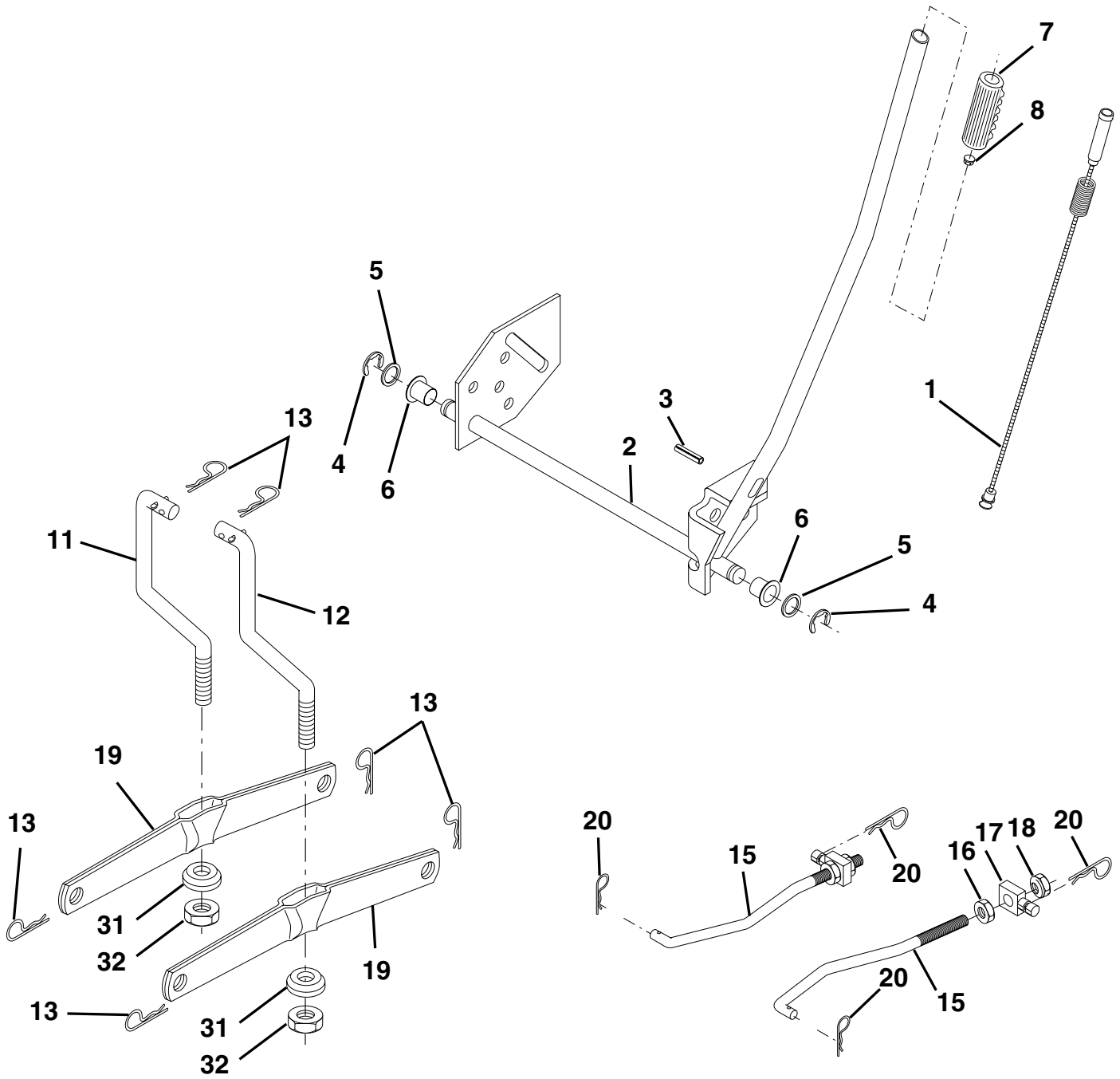
TRACTOR- -MODEL NO. 12-107 (P12S105B), PRODUCT NO. 954 12 00-30
ENGINE

| KEY NO. | PART NO. | DESCRIPTION |
|---------|------------------|---|
| 1 | 532170865 | Control Th/ch Flag Eec |
| 2 | 817720410 | Screw Hex Thd Cut 1/4-20 x 5/8 T |
| 3 | ----- | Engine B&S Model No. 289707 (Order parts from engine manufacturer) |
| 4 | 532137348 | Muffler LT B&S 12/12 5 HP |
| 13 | 532165291 | Gasket Eng |
| 14 | 532148456 | Tube Oil Drain Easy |
| 16 | 811050600 | Washer Lock Ext Tooth 3/8 |
| 23 | 532169837 | Shield Brn/Dbr Guard |
| 29 | 532137180 | Kit Spark Arrecter |
| 31 | 532109202 | Tank Fuel Front 1.25 |
| 32 | 532140527 | Cap Asm Fuel W/sym Vented |
| 33 | 532123487 | Clamp Hose Blk |
| 37 | 532137040 | Line Fuel 20" |
| 38 | 532148315 | Plug Oil Drain Easy |
| 40 | 532124028 | Bushing Snap Nyl Blk Fuel Line |
| 44 | 817670412 | Screw Hexwsh Thdrol 1/4-20 x 3/4 |
| 45 | 817000612 | Screw Hexwsh Thdrol 3/8-16 x 3/4 |
| 46 | 819091416 | Washer 9/32 x 7/8 x 16 Ga. |
| 62 | 810040500 | Washer Lock Hvy Hlcl Spr 5/16 |
| 66 | 532127951 | Stop Throt 3000 Rpm |
| 72 | 871070512 | Screw Hexhd Cap 5/16-18x3/4 |
| 78 | 817060620 | Screw 3/8-16 x 1-1/4 |
| 81 | 873510400 | Nut Keps Hex 1/4-20 UNC |

NOTE: All component dimensions given in U.S. inches
1 inch = 25.4 mm

REPAIR PARTS

TRACTOR- -MODEL NO. 12-107 (P12S105B), PRODUCT NO. 954 12 00-30
MOWER LIFT



REPAIR PARTS

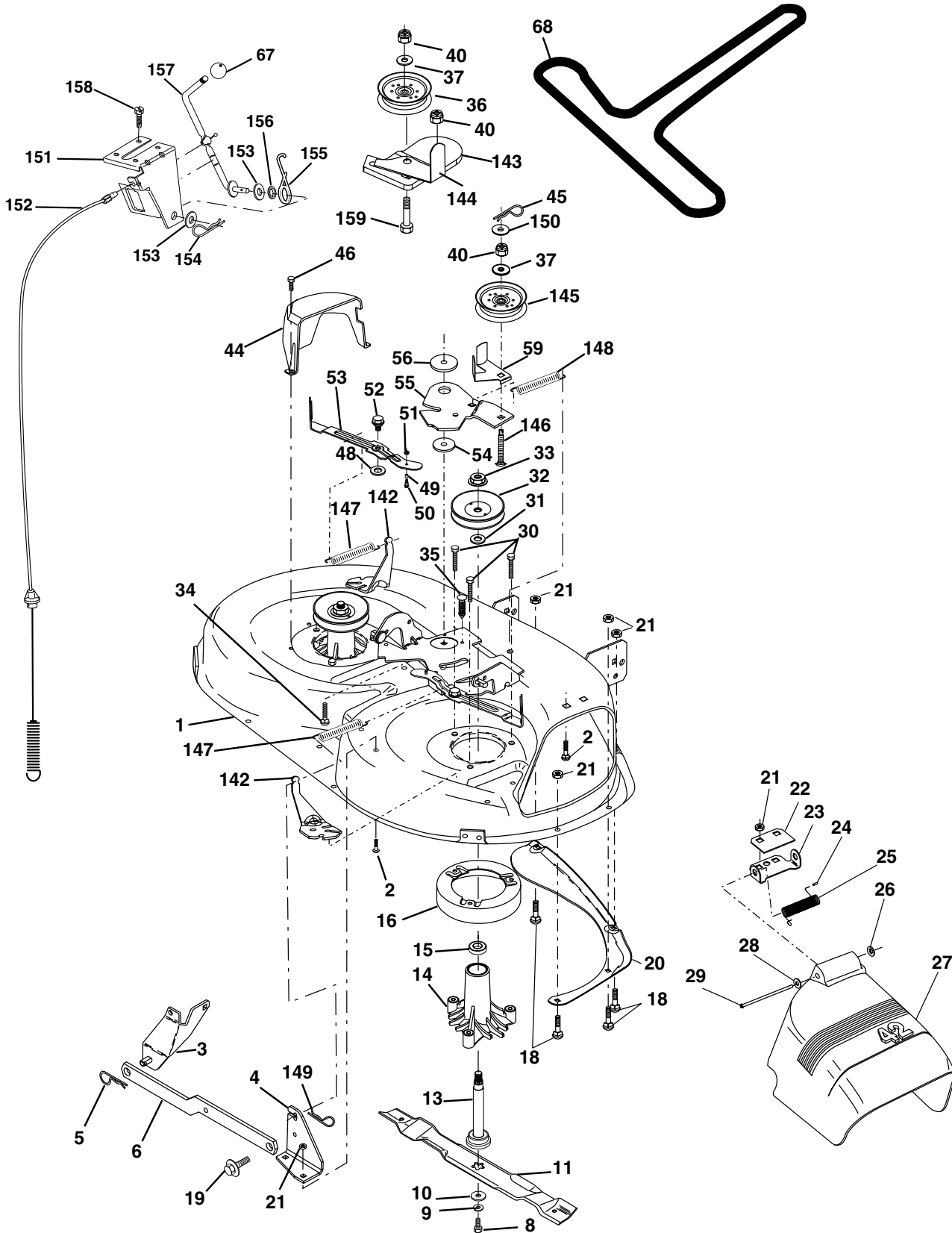
TRACTOR- -MODEL NO. 12-107 (P12S105B), PRODUCT NO. 954 12 00-30
MOWER LIFT

| KEY NO. | PART NO. | DESCRIPTION |
|---------|------------------|-------------------------------|
| 1 | 532159460 | Wire Asm Inner W/Plunger |
| 2 | 532159471 | Shaft Asm Lift |
| 3 | 532105767 | Pin Groove |
| 4 | 812000002 | E Ring #5133-62 |
| 5 | 819211621 | Washer PLTD 21/32 X 1 X 21ga |
| 6 | 532120183 | Bearing Nylon Blk 629 Id |
| 7 | 532109413 | Grip Handle Bicycle Matte Blk |
| 8 | 532124526 | Button Plunger Black |
| 11 | 532139865 | Link Lift LH |
| 12 | 532139866 | Link Lift RH |
| 13 | 532124670 | Retainer Spring |
| 15 | 532173288 | Link Front |
| 16 | 873350800 | Nut Jam Hex 1/2-13 Unc |
| 17 | 532130171 | Trunnion Blk Zinc |
| 18 | 873800800 | Nut Lock W/Wsh 1/2-13 Unc |
| 19 | 532139868 | Arm Suspension Rear |
| 20 | 532163552 | Retainer Spring |
| 31 | 532169865 | Bearing Pvt Lift |
| 32 | 873540600 | Nut Crownlock 3/8-24 |

NOTE: All component dimensions given in U.S. inches
1 inch = 25.4 mm

REPAIR PARTS

TRACTOR- -MODEL NO. 12-107 (P12S105B), PRODUCT NO. 954 12 00-30
MOWER



REPAIR PARTS

TRACTOR- -MODEL NO. 12-107 (P12S105B), PRODUCT NO. 954 12 00-30
MOWER

| KEY NO. | PART NO. | DESCRIPTION | KEY NO. | PART NO. | DESCRIPTION |
|---------|-----------|---------------------------------|---------|------------------|---|
| 1 | 532165892 | Housing Asm Mower 42" T-Path | 45 | 532124788 | Spring Retainer 1" Zinc/cad |
| 2 | 872140506 | Bolt Rdhd Sqnk 5/16-18unc X3/4 | 46 | 532137729 | Screw Hex Thd Cut 1/4-20x5/8 T |
| 3 | 532138017 | Bracket Asm Fr Sway Bar 38/42 | 48 | 532133944 | Washer Hardened Smaller |
| 4 | 532165460 | Bracket Asm Deck 42" sway Bar | 49 | 532174284 | Roller Asm Cam Follower 42" dec |
| 5 | 532124670 | Retainer Spring | 50 | 532131340 | Bolt Shldr 10-24 Zinc Gr 5 42" |
| 6 | 532130832 | Arm Suspension Rear | 51 | 532069180 | Nut Lock #10-24 Unc |
| 8 | 532850857 | Bolt 3/8 - 24 X 1.25 Gr 8 | 52 | 532139888 | Bolt Shoulder 5/16-18 Unc Blkz |
| 9 | 810030600 | Washer Lock Hvy 3/8 Unplated | 53 | 532131845 | Arm Asm Pad Brake |
| 10 | 532140296 | Washer Hard Blade Mower | 54 | 532133943 | Washer Hardened |
| 11 | 532138498 | Blade Mower High Lift | 55 | 532155046 | Arm Idler 42" mower LT/YT |
| 13 | 532137645 | Shaft Asm W/Lower Bearing | 56 | 532165723 | Spacer Retainer Pm Mower |
| 14 | 532128774 | Housing Mandrel Vented (Machd) | 59 | 532141043 | Guard TUV Idler |
| 15 | 532110485 | Bearing Ball Mandrel | 67 | 532106932 | Knob Rd 3/8-16 Plstc Thds Blk |
| 16 | 532140329 | Stripper Round Mower | 68 | 532144959 | V-Belt Mower |
| 18 | 872140505 | Bolt Carr 5/16-18 X 5/8 | 142 | 532165890 | Arm Spring Brake Mower |
| 19 | 532132827 | Bolt Shoulder | 143 | 532157109 | Bracket Arm Idler 42" |
| 20 | 532159770 | Baffle Vortex 42" | 144 | 532158634 | Keeper Belt 42" Clutch Cable |
| 21 | 873680500 | Nut Crown Lock 5/16-18 | 145 | 532165888 | Pulley Idler Flat |
| 22 | 532134753 | Stiffener Bracket 42" deck | 146 | 532171977 | Bolt Carriage Idler |
| 23 | 532131267 | Bracket Deflector Mower 42" | 147 | 532131335 | Spring Extension |
| 24 | 532105304 | Cap Sleeve 80x 112 Blk Mower | 148 | 532169022 | Spring Return Idler |
| 25 | 532123713 | Spring Torsion Deflector 2 52 | 149 | 532165898 | Retainer Spring Yellow |
| 26 | 532110452 | Nut Push Phos & Oil | 150 | 819091216 | Washer 9/32 x 3/4 x 16 Ga. |
| 27 | 532171859 | Shield Deflector Mower 42" | 151 | 532169670 | Bracket Clutch Cable |
| 28 | 819111016 | Washer 11/32 X 5/8 X 16 Ga. | 152 | 532169676 | Clutch Cable 42" |
| 29 | 532131491 | Rod Hinge 42" 6 75 Wlg | 153 | 532169674 | Washer Flat 3/8" Type B |
| 30 | 532157722 | Screw Thdrol Washer Head | 154 | 532169675 | Spring Retainer |
| 31 | 532129963 | Washer Spacer Mower Vented | 155 | 532169671 | Spring Retention Lvr Cltch Cab |
| 32 | 532153535 | Pulley Mandrel 42/44/50 | 156 | 532169672 | Spacer Clutch Cable |
| 33 | 532137266 | Nut 9/16 Top Lock Fing Oil Dip | 157 | 532169669 | Rod Clutch Cable 3/8" |
| 34 | 872110614 | Bolt Rdhd 3/8-16unc X 1-3/4 Gr5 | 158 | 817720410 | Screw Hex Thd Cut 1/4-20 x 5/8 |
| 35 | 532133835 | Fastner Christmas Tree | 159 | 872140614 | Bolt Rdhd Sqn 3/8-16 UNC x 1-3/4 |
| 36 | 532131494 | Pulley Idler Flat 3 060 | -- | 532171639 | Deck Serv 42" |
| 37 | 819131316 | Washer 13/32 X 13/16 X 16 | -- | 532130794 | Mandrel Asm Service (Includes Key Nos. 8-10, 12-15, 31 and 33) |
| 40 | 873680600 | Nut, Crownlock 3/8-16 UNC | | | |
| 44 | 532140088 | Guard Mandrel LH Black | | | |

NOTE: All component dimensions given in U.S. inches
1 inch = 25.4 mm